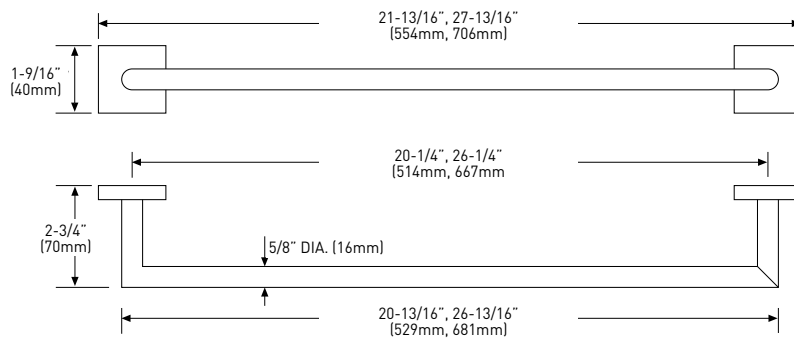


FEATURES

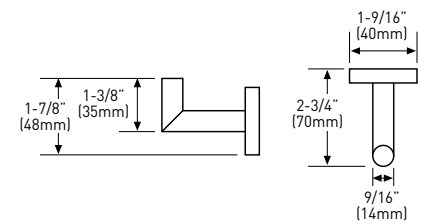
- INCLUDES SOLID ZINC DIE CAST MOUNTING PLATES: 1-3/16" x 1-3/16" (30 mm x 30 mm); NYLON ANCHORS AND STEEL PHILLIPS HEAD SCREWS: #8 x 1-1/4" (32 mm)
- SOLID ZINC DIE-CAST CONSTRUCTION (POSTS)



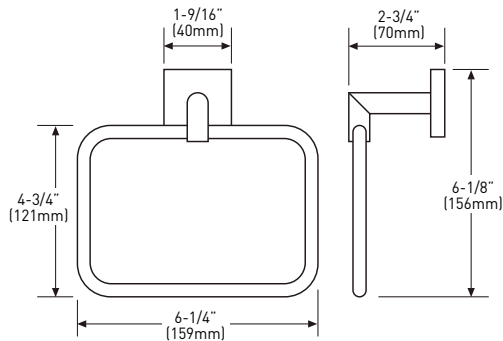
TOWEL BAR



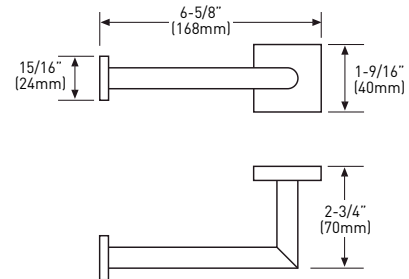
ROBE HOOK



TOWEL RING



PAPER HOLDER



MEASUREMENTS SUBJECT TO A 3% VARIANCE

MEASUREMENTS ARE FOR REFERENCE ONLY. TAYMOR RESERVES THE RIGHT TO CHANGE THE PRODUCT SPECS WITHOUT NOTICE. FOR PRODUCT WARRANTY, PLEASE VISIT TAYMOR WEBSITE FOR DETAILS

RETAIL PACK	SATIN NICKEL 15	POLISHED CHROME 26	MATERIAL	CASE QTY
18" TOWEL BAR	02-D5518SN	02-D5518	ZINC/STAINLESS STEEL	4
24" TOWEL BAR	02-D5524SN	02-D5524	ZINC/STAINLESS STEEL	4
ROBE HOOK	02-D5501SN	02-D5501	ZINC	4
TOWEL RING	02-D5504SN	02-D5504	ZINC	4
PAPER HOLDER	02-D5548SN	02-D5548	ZINC	4

