

COMMERCIAL MORTISE LOCKS



FEATURES

- CUL LISTED FOR USE ON 3-HOUR FIRE DOOR (SINGLE OR DOUBLE DOORS)
- CONFORMS FULLY TO BHMA/ANSI 156.13 GRADE 1, INCLUDING OPERATIONAL, STRENGTH AND SECURITY.
- MEETS OR EXCEEDS 1,000,000 CYCLES
- 12 GAUGE FULLY-WRAPPED HEAVY DUTY STEEL CASE
- ZINC DICHROMATE PLATED FOR CORROSION RESISTANCE
- ADJUST EASILY TO DOOR BEVEL EDGE ANGLES FROM FLAT TO 1/8" (3MM)
- FIELD REVERSIBLE HANDING ON CASSETTE (SHIPPED STANDARD AS RIGHT HANDED)
- STAINLESS STEEL LATCH BOLT WITH 2 ANTI-FRICTION TONGUES
- ROCKERTYPE, CHROME-PLATED BRASS TOGGLE (ON APPLICABLE FUNCTIONS)
- STANDARD 6PIN SCHLAGE "C" KEYWAY (ON APPLICABLE FUNCTIONS)
- CONSTRUCTION OR MASTER KEYING SYSTEMS AVAILABLE
- INCLUDES 2 SOLID BRASS NICKEL-PLATED CUT KEYS PER LOCK
- 10-YEAR MECHANICAL & 1-YEAR FINISH WARRANTY

LEVER STYLES AVAILABLE

DUKE MORTISE TRIM



ENVOY MORTISE TRIM



CITADEL MORTISE TRIM (SPECIAL ORDER)



COMMERCIAL MORTISE LEVER ITEMS LIST*

DUKE	C26D SATIN CHROME	CASE PACK
OFFICE (ANSI F04)	39-S6077C26D	6
APARTMENT (ANSI F20)	39-S5077C26D	6
PRIVACY (ANSI F19)	39-S4077C26D	6
PASSAGE (ANSI F01)	39-S1077C26D	6
CLASSROOM (ANSI F05)	39-S7077C26D	6
STOREROOM (ANSI F07)	39-S8077C26D	6
DORMITORY (ANSI F13)	39-S5377C26D	6
EXIT (ANSI F12)	39-S5777C26D	6

ENVOY	C26D SATIN CHROME	CASE PACK
OFFICE (ANSI F04)	39-S6088C26D	6
APARTMENT (ANSI F20)	39-S5088C26D	6
PRIVACY (ANSI F19)	39-S4088C26D	6
PASSAGE (ANSI F01)	39-S1088C26D	6
CLASSROOM (ANSI F05)	39-S7088C26D	6
STOREROOM (ANSI F07)	39-S8088C26D	6
DORMITORY (ANSI F13)	39-S5388C26D	6
EXIT (ANSI F12)	39-S5788C26D	6

CITADEL	C26D SATIN CHROME	CASE PACK
OFFICE (ANSI F04)	39-S5055C26D	6
APARTMENT (ANSI F20)	39-S6055C26D	6
PRIVACY (ANSI F19)	39-S4055C26D	6
PASSAGE (ANSI F01)	39-S1055C26D	6
CLASSROOM (ANSI F05)	39-S7055C26D	6
STOREROOM (ANSI F07)	39-S8055C26D	6
DORMITORY (ANSI F13)	39-S5355C26D	6
EXIT (ANSI F12)	39-S5755C26D	6

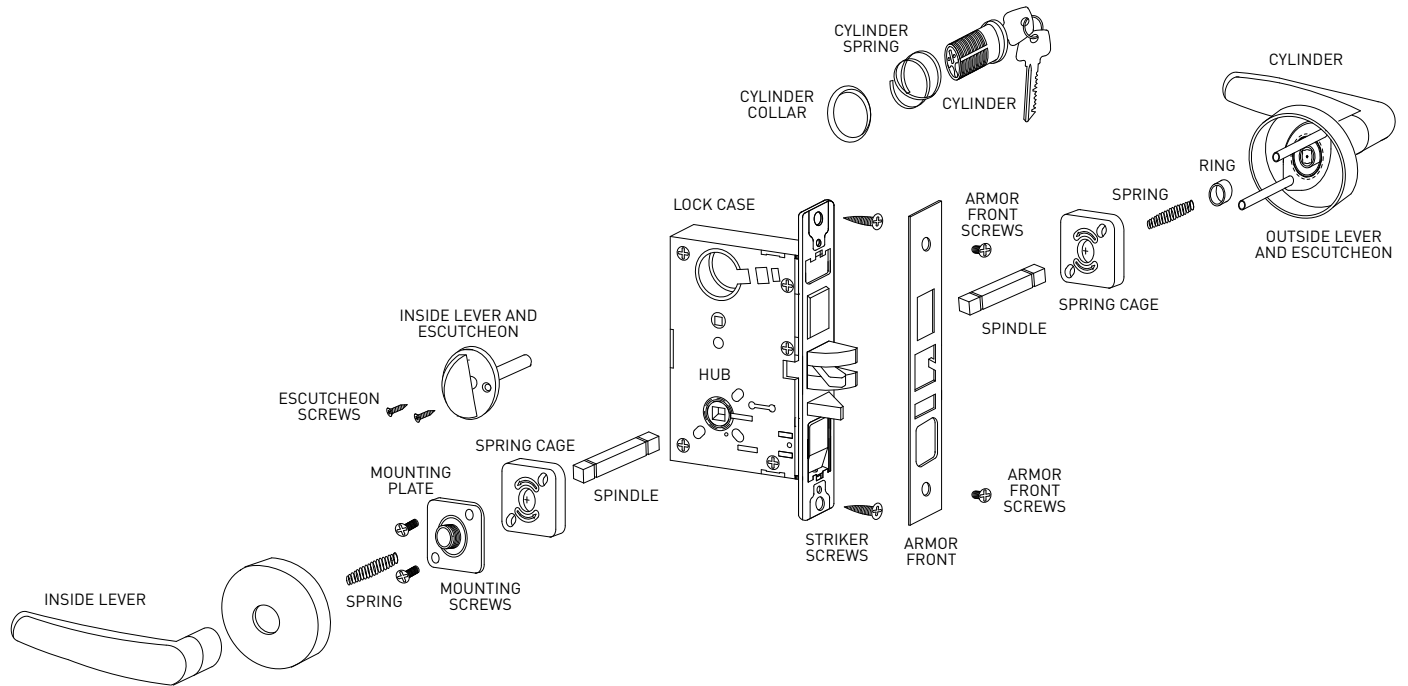
DEADBOLT	C26D SATIN CHROME	CASE PACK
D'LOCK SINGLE KD	39-M17C26D	10
D'LOCK DOUBLE KD	39-M16C26D	10

CYLINDER	C26D SATIN CHROME	CASE PACK
1-1/8"	39-MSCYL118C26D	10

Additional functions available as special order items – please refer to Commercial cutsheet or contact Customer Service for further information.

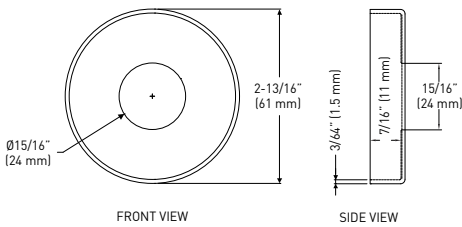
COMMERCIAL MORTISE LOCKS

EXPLODED VIEW: COMMERCIAL MORTISE ON SECTIONAL ROSE TRIM

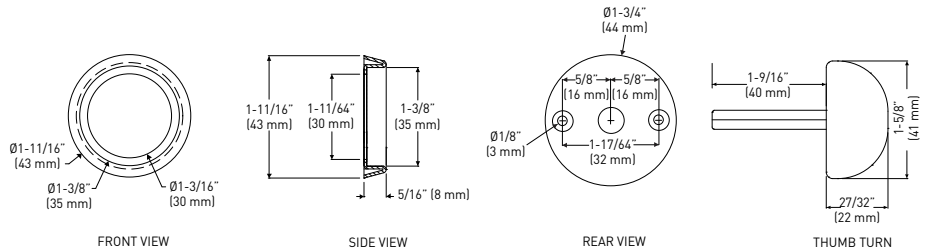


SPECIFICATION DRAWINGS: SECTIONAL ROSE TRIM

ROUND SECTIONAL ROSE: LEVERS



ROUND SECTIONAL ROSE: DEADBOLTS



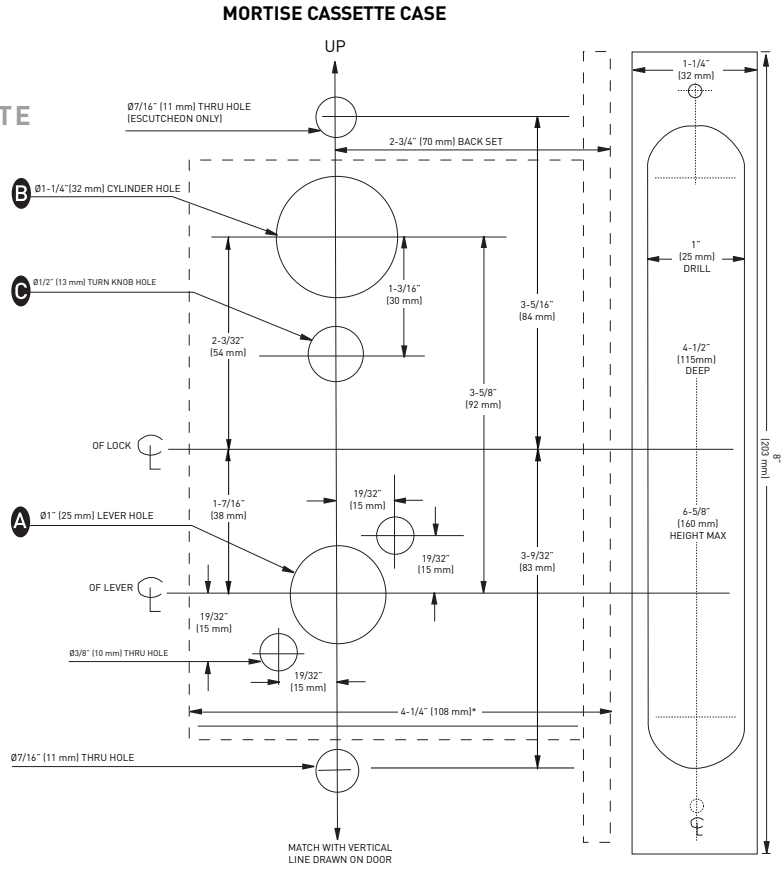


COMMERCIAL MORTISE LOCKS

SPECIFICATION DRAWINGS: MORTISE CASSETTE

WARNING:

- DRAWINGS ON THIS PAGE ARE FOR REFERENCE ONLY - NOT TO SCALE
- REFER TO PRODUCT INSTALLATION TEMPLATES FOR COMPLETE DETAILS PRIOR TO DOOR PREPARATION
- CALL TAYMOR CUSTOMER SERVICE FOR QUESTIONS

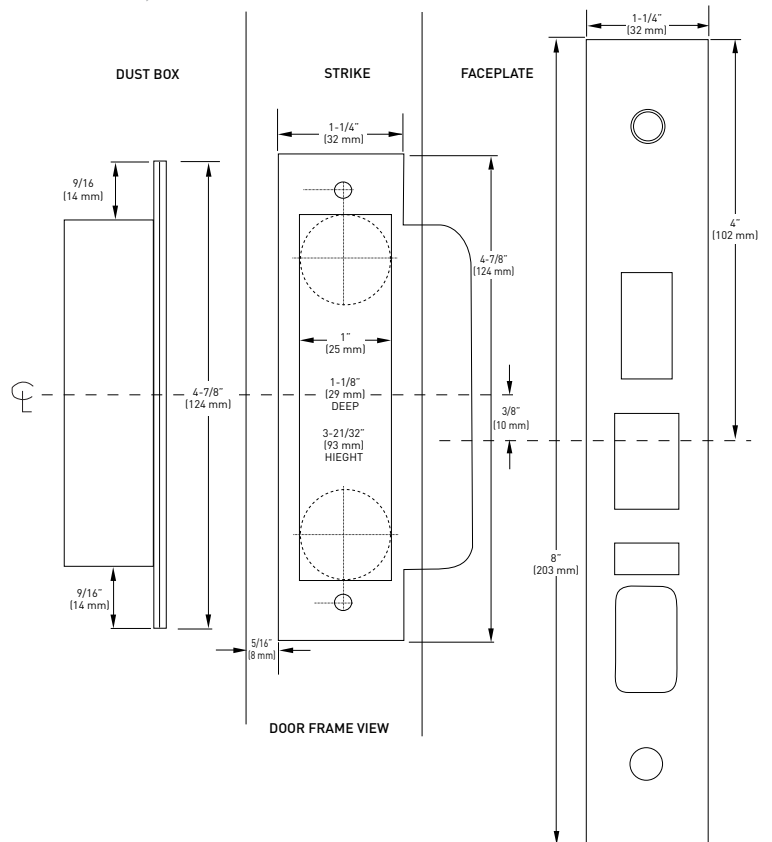


* INCLUDES CASE FLANGE DEPTH AND ADJOINING FACE PLATE

SPECIFICATION DRAWINGS: MORTISE STRIKE, FACEPLATE, AND DUSTBOX

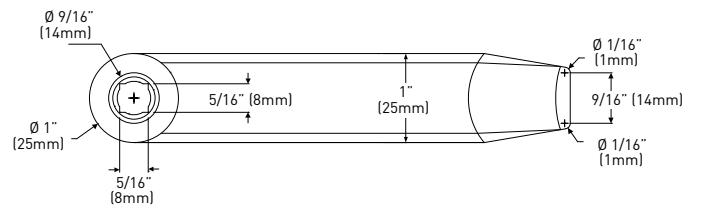
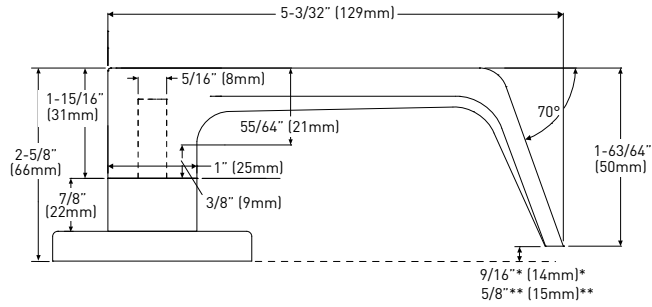
DOOR PREPARATION:

- STANDARD NORTH AMERICAN MORTISE LOCK DOOR PREPARATION (86 DOOR PREP AS PER ANSI A115.2)
- DOOR THICKNESS 1-3/4" (45mm) STANDARD
- 2-3/4" (70mm) BACKSET ONLY

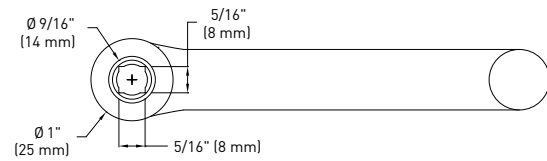
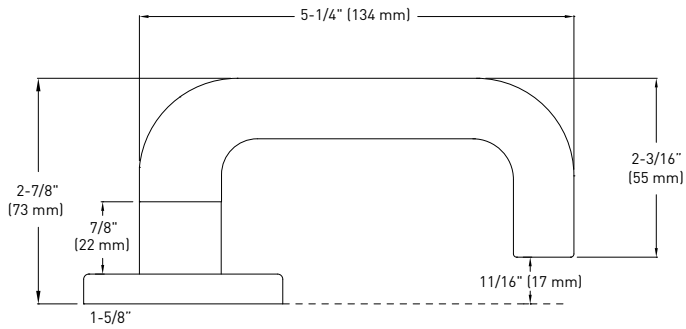


SPECIFICATION DRAWINGS: COMMERCIAL MORTISE LEVER TRIMS

DUKE LEVER



ENVOY LEVER



CITADEL LEVER

