

Westport 6'8"		
All dimensions nominal before prefit and bevel.		
DW	A	B
3-0	27.62	4.19
2-10	23.62	5.19
2-8	23.62	4.19
2-6	21.62	4.19
2-4	19.62	4.19
2-2	19.62	3.19
2-0	15.62	4.19
1-10	15.62	3.19
1-8	8.75	5.62
1-6	8.75	4.62
Bottom rail dimension does not comply with ADA requirements.		

Westport (Clermont)

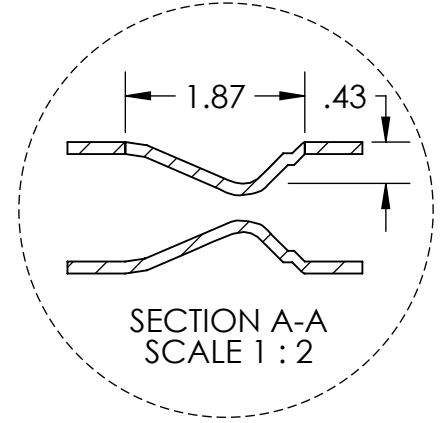
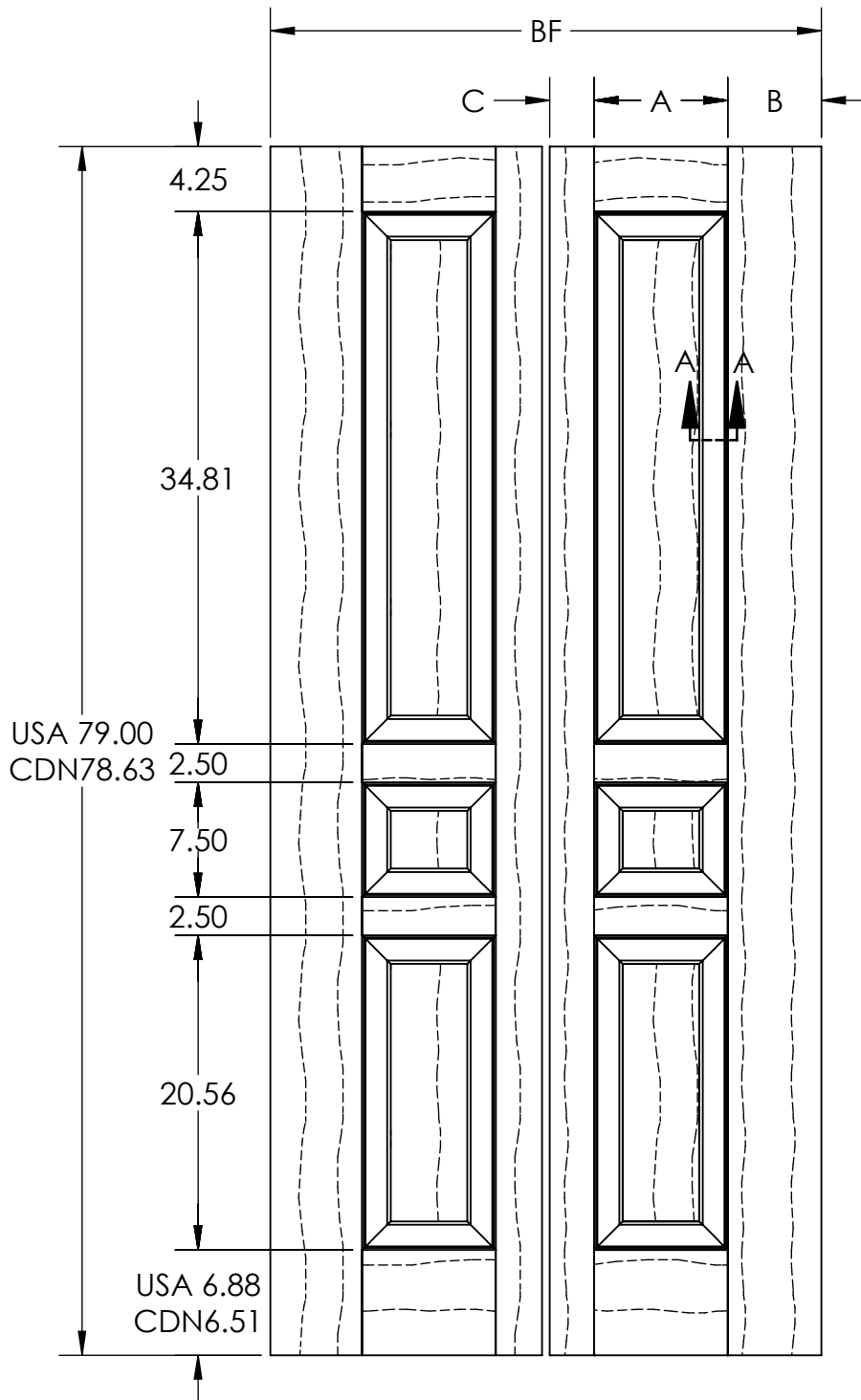
Molded Profile Door



DIMENSIONS ARE IN: Inches
 DOOR TOLERANCES
 WIDTH (FULL WIDTH): ±1/16
 WIDTH (PREFIT): ±1/32
 HEIGHT: ±1/16
 SQUARE: ±1/8

THE INFORMATION CONTAINED IN THIS DRAWING IS THE
 SOLE PROPERTY OF Lynden Door, Inc. ANY
 REPRODUCTION IN PART OR AS A WHOLE WITHOUT THE
 WRITTEN PERMISSION OF Lynden Door, Inc. IS PROHIBITED.

A04-00037 01/14/19



Westport Bifold 6'8"			
BF	A	B	C
3-0	8.74	5.99	3.02
2-8	8.74	3.99	3.02
2-6	7.68	4.61	2.46
2-4	7.68	3.61	2.46
2-0	6.18	3.63	1.94
1-8	6.18	1.94	1.63
1-6	6.18	1.38	1.19

Use of heavy duty hardware may require additional undercut. Lynden Door standard is 3/4"

Westport (Clermont)

Molded Profile Bifold



DIMENSIONS ARE IN: Inches
 DOOR TOLERANCES
 WIDTH (FULL WIDTH): ±1/16
 WIDTH (PREFIT): ±1/32
 HEIGHT: ±1/16
 SQUARE: ±1/8

THE INFORMATION CONTAINED IN THIS DRAWING IS THE SOLE PROPERTY OF Lynden Door, Inc. ANY REPRODUCTION IN PART OR AS A WHOLE WITHOUT THE WRITTEN PERMISSION OF Lynden Door, Inc. IS PROHIBITED.

A04-00037 01/14/19